

AKRIPOL 24/48 SHEV  
**SKYDOME SYSTEMS**

**AKRIPOL**





# Akripol Shev Skydome System

Akripol Shev Skydome System

**The position of skylights is ideal for efficient natural smoke and heat exhaust in case of fires, providing for a smooth integration of both systems in terms of cost-effectiveness and functionality.**

## 3-in-1

**Skylights = Natural Lighting + Ventilation + Natural Smoke and Heat Exhaust**

Under normal conditions, the skylights can be used for ventilation and provision of natural light to rooms. In the case of fire, they serve as natural smoke and heat exhausts.

10

Years guarantee for skydome material

2

Years guarantee for shev systems



Protection



Natural Daylight



Natural Ventilation



Natural Smoke and Heat Exhaust

# AKRIPOL 24/48V SHEV SKYDOME SYSTEM TYPE - AL

## Product advantages

- EC-Certificate of Conformity according to EN 12101-2 (CE-mark);
- SOLO or TANDEM version (depending on skydome size);
- Rugged, powerful and fast gear motor with low noise;
- Corresponding 24/48V SHEV control panels with a broad range of accessories and various activation modes.

## System properties

- **WL 1500**
- **Nominal size:** up to 200 x 250 cm
- **Aerodynamically efficient smoke exhaust surface (according to EN 12101-2):** up to 3,5 m<sup>2</sup> (depending on skydome size and upstand type)
- **Max. snow load:**
  - Max. SOLO version SL 2430 N/m<sup>2</sup> (depending on dome size and nominal voltage)
  - Max. TANDEM version SL 3750 N/m<sup>2</sup> (depending on dome size and nominal voltage)

## Advantages and properties of the 24/48 volt technology

- Almost completely silent operation;
- Daily ventilation without additional motor (steplessly adjustable);
- Easy maintenance;
- Short circuits and cable interruptions are detected immediately;
- Standby power control system;
- Activation of 2 SHEV groups possible with one control panel;

- Inputs for smoke or heat detectors, buttons and sensors, wind/rain sensor etc.
- Several control panels connected on one bus.

## Important advantages of the 48 volt technology

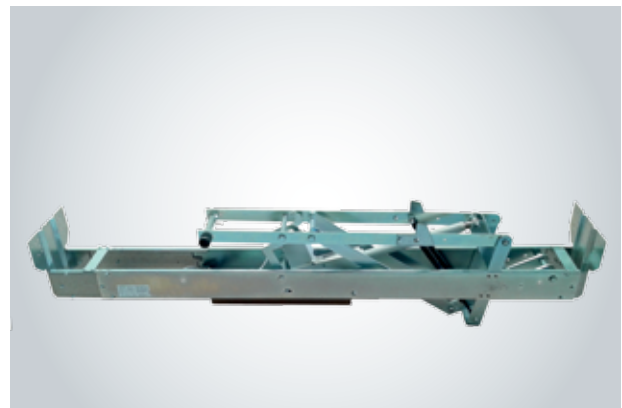
- Activation of twice as many opening systems with one control panel;
- Installation is significantly more effortless;
- Cost -saving due to smaller cable diameters;
- Cuts down project costs;
- Safe also in case of high snow loads;
- Integration of standard components like smoke or heat detectors, buttons and sensors, wind/ rain sensors etc.

## Built-in electronic current limiter

The electrical actuator is connected with a built-in electronic current limiter that functions as an overload protector by end stop and locking. At the same time, it enables determining the power consumption as well as the opening speed.

## Maximum stability and power

The opening system is based on a unique geometrical movement by means of an electrical actuator which is fitted in the system. This system provides maximum stability and power efficiency in both opening and closing operations.



# AKRIPOL 24V SHEV SKYDOME SYSTEM TYPE - G

## Product advantages

- EC Certificate of Conformity according to EN 12101-2 (CE mark);
- SOLO or TANDEM version (depending on skydome size);
- Rugged, powerful and fast gear motor with low noise;
- Corresponding 24 SHEV control panels with a broad range of accessories and various activation modes.

## System properties

- **WL 1500**
- **Nominal size:** up to 200 x 250 cm
- **Aerodynamically efficient smoke exhaust surface (according to EN 12101-2):** up to 3,5 m<sup>2</sup> (depending on skydome size and upstand type)
- **Max. snow load:**
  - max. SOLO version SL 2500 N/m<sup>2</sup> (depending on dome size and nominal voltage)

## Advantages and properties of the 24 volt technology

- Daily ventilation without additional motor (steplessly adjustable);
- Easy maintenance;
- Short circuits and cable interruptions are detected immediately;
- Standby power control system;
- Activation of 2 SHEV groups with one control panel;
- Inputs for smoke or heat detectors, buttons and sensors, wind/rain sensors etc.
- Several control panels connected on one bus.

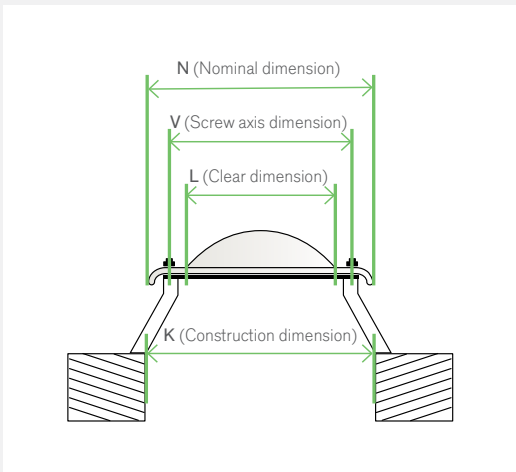
## Built-in electronic current limiter

The electrical actuator is connected with a built-in electronic current limiter that works as an overload protector by end stop and locking. At the same time, it enables determining the power consumption as well as the opening speed.





Dimensions N	Dimensions K	SL 500 N	SL 750 N	SL 500 N	SL 750 N	SL 1000 N	Aeorodynamic effective surface with windshields	Aeorodynamic effective surface with windshields
		Type AL 24V and 48V	Type AL 24V and 48V	Type G 24V	Type G 24V	Type G 24V	Upstand height 50 cm	Upstand height 30 cm
960 x 960	1000 x 1000	•	•	•	•	•	0,63	0,62
960 x 1160	1000 x 1200	•	•	•	•	•	0,76	0,74
960 x 1460	1000 x 1500	•	•	•	•	•	0,96	0,95
960 x 1760	1000 x 1800	•	•	•	•	•	1,17	1,15
960 x 1960	1000 x 2000	•	•	•	•	•	1,30	1,28
960 x 2060	1000 x 2100	•	•	•	•	•	1,37	1,34
960 x 2160	1000 x 2200	•	•	•	•	•	1,43	1,41
960 x 2360	1000 x 2400	• T	• T	•	•		1,61	1,56
960 x 2460	1000 x 2500	• T	• T	•	•		1,70	1,65
960 x 2660	1000 x 2700	• T	• T	•	•		1,86	1,81
960 x 2760	1000 x 2800	• T	• T	•	•		1,93	1,88
960 x 2960	1000 x 3000	• T	• T	•			2,07	2,01
1160 x 1160	1200 x 1200	•	•	•	•	•	0,92	0,91
1160 x 1460	1200 x 1500	•	•	•	•	•	1,15	1,13
1160 x 1760	1200 x 1800	•	•	•	•	•	1,40	1,38
1160 x 1960	1200 x 2000	•	•	•	•		1,58	1,56
1160 x 2060	1200 x 2100	•	•	•	•		1,66	1,64
1160 x 2160	1200 x 2200	•	•	•	•		1,77	1,74
1160 x 2360	1200 x 2400	•	•	•	•		1,96	1,90
1160 x 2460	1200 x 2500	•	•	•	•		2,07	2,01
1160 x 2660	1200 x 2700	•	•	•	•		2,24	2,17
1160 x 2760	1200 x 2800	•	•	•	•		2,32	2,25
1160 x 2960	1200 x 3000	•	•	•			2,48	2,41
1460 x 1460	1500 x 1500	•	•	•	•	•	1,49	1,46
1460 x 1760	1500 x 1800	•	•	•	•		1,81	1,78
1460 x 1960	1500 x 2000	•	•	•	•		2,01	1,98
1460 x 2060	1500 x 2100	•	•	•	•		2,14	2,11
1460 x 2160	1500 x 2200	•	•	•			2,26	2,21
1460 x 2360	1500 x 2400	•	•	•			2,48	2,41
1460 x 2460	1500 x 2500	•	•	•			2,61	2,53
1460 x 2660	1500 x 2700	•	•	•			2,84	2,75
1460 x 2760	1500 x 2800	•	•	•			2,94	2,86
1460 x 2960	1500 x 3000	•	•	•			3,15	3,06
1760 x 1760	1800 x 1800	•	•	•	•		2,20	2,17
1760 x 2060	1800 x 2100	• T	• T	•			2,57	2,53
1760 x 2160	1800 x 2200	• T	• T	•			2,73	2,67
1760 x 2360	1800 x 2400	• T	• T	•			3,02	2,94
1760 x 2460	1800 x 2500	• T	• T	•			3,15	3,06
1760 x 2660	1800 x 2700	• T	• T	•			3,40	3,30
1960 x 1960	2000 x 2000	• T	• T	•			2,76	2,72
1960 x 2160	2000 x 2200	• T	• T	•			3,06	2,99
1960 x 2360	2000 x 2400	• T	• T	•			3,36	3,26
1960 x 2460	2000 x 2500	• T	• T	•			3,50	3,40



\*Other non-standard or intermediate sizes (not in the table) - upon request

Systems can be fitted to:  
 Skydomes: from 1-4 layered and VISS  
 Upstands: height 30 cm and 50 cm (Polyester and Fe)  
 Opening frames: aluminium

Notes:  
 T – Tandem only  
 SL – Snow load [N]  
 24V and 48V – input voltage of electric actuator [V]



### Certificates:

- Certified to EN 12101-2
- Certified to EN 1873
- Tested to FM Approvals No. 4473



**More info:**  
**Akripol, d.o.o., Alux Sales**  
**t: +386 7 34 81 634 / 635**  
**f: +386 7 34 60 047**  
**info@akripol.si**  
**sales@akripol.si**  
**www.akripol.si**